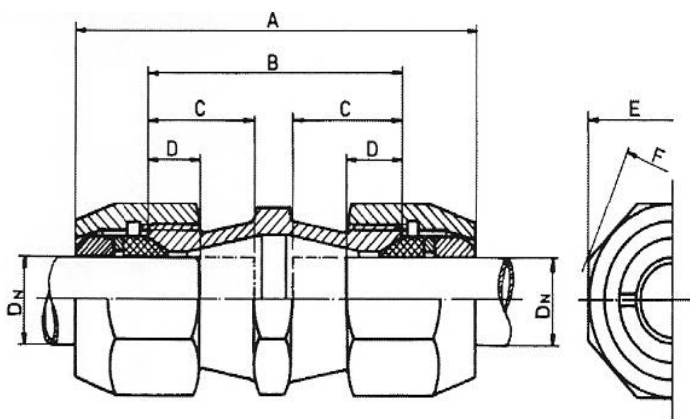


Compression Fittings straight



1. Fitting body: High-quality cast malleable iron (Design A) EN-GJMB 350-10, EN 1562, hot-dip galvanized according to EN 10242, electr. galvanized
2. Nut: High-quality cast malleable iron (Design A) EN-GJMB 350-10, EN 1562, hot-dip galvanized according to EN 10242, electr. galvanized
3. Conical seal: NBR
4. Washer: Steel St 37-3, galvanized
5. Conical clamping ring: Brass or steel, galvanized
6. Pipe



Type KK	Tube diameter Ø DN (mm)	Size (mm)					
		A	B	C	D	E	F
1/2"	21,3	110	70	25	14	44	47
3/4"	26,9	110	70	27	14	48	52
1"	33,7	110	75	30	15	55	59
1 1/4"	42,4	120	80	32	15	66	71
1 1/2"	48,3	134	91	40	16	74	79
2"	60,3	150	100	43	19	91	97
2 1/2"	76,1	190	117	55	20	110	118
3"	88,9	205	140	65	20	120	130

Fields of Application:

1. Repairs to existing pipelines and new installations of pipes for the fluids of water, gas, compressed air, heating oil
2. Suitable for permanent use
3. Time saving because threading and welding is not necessary
4. Suitable for steel tubes according to DIN EN 10255
(formerly 2440, 2441, 2442, 2448 (series 1), 2458 (series 1))
5. Approved for drinking water installation (cold water) 1/2" ~ 2" steel tubes / threaded tubes DIN 2440 / 2444 according to W534 DIN-DVGW
6. Special applications: Suitable for domestic water, oil, petrol and other media
7. Medium: Water / Gas
8. Temperature range: Water +80 ° C / Gas -20 ° C to +70 ° C
9. Operating pressure: Water PN16 / Gas PN4
10. Connection thread: ISO 7/1 DIN EN 10226/1 (formerly DIN 2999)
11. Bending possible up to 3°